

## Worldwide Distributors

### Baltic, Nordic

**Von Gegerfelt Photonics**  
Tel.: +49-6251 856 79 84  
Fax: +49-6251 856 79 85  
info@vgphotonics.eu  
www.vgphotonics.eu

### China

**Pinnacle Scientific Corporation**  
Tel.: +86-571 88 22 51 51  
Fax: +86-571 88 22 52 52  
sales@psci.cn  
www.psci.cn

### France

**Photon Lines**  
Tel.: +33-130 08 99 00  
Fax: +33-130 08 99 09  
infos@photonlines.com  
www.photonlines.fr

### Israel

**Militram**  
Tel.: +97-299 58 18 60  
Fax: +97-299 57 43 83  
militram@militram.com  
www.militram.com

### Italy

**LOT-Oriel Italia**  
Tel: +39-226 82 21 04  
Fax: +39-226 82 50 07  
info@lot-oriel.it  
www.lot-oriel.it

### Japan

**Japan Laser Corp.**  
Tel.: +81-352 85 08 61  
Fax: +81-352 85 08 60  
lase@japanlaser.jp  
www.japanlaser.jp

### Korea

**DongWoo Optron Co., Ltd.**  
Tel.: +82-317 65 03 00  
Fax: +82-317 65 02 22  
optron@optron.co.kr  
www.optron.co.kr

### Spain

**LASER Technology S.L.**  
Tel.: +34-937 50 01 21  
Fax: +34-937 50 03 23  
josecochon@laser-technology.com  
www.laser-technology.com

### Singapore/Malaysia

**PhotonTech Pte Ltd**  
Tel.: +65-67 49 90 31  
Fax: +65-62 33 91 71  
csales@photonitech.com  
www.photonitech.com

### Taiwan

**Tayhwa Technology Co. Ltd.**  
Tel: +88-62 23 56 97 37  
Fax: +88-62 23 56 96 59  
tayhwa@tayhwa.com.tw  
www.tayhwa.com.tw

### Turkey

**Mitra Anonim Sirketi**  
Tel.: +90-212 347 47 40  
Fax: +90-212 347 47 45  
omerbogzoglu@mitra.com.tr  
teknofil@mitra.com.tr  
www.mitra.com.tr

### UK

**Photon Lines Ltd**  
Tel.: +44-12 95 72 42 25  
Fax: +44-12 95 72 42 26  
info-uk@photonlines.com  
www.photonlines.com

### USA

**Market Tech, Inc.**  
Tel.: +1-80 03 26 57 14  
Fax: +1-83 14 61 11 36  
info@markettechinc.net  
www.markettechinc.net

### **For Life Science Applications**

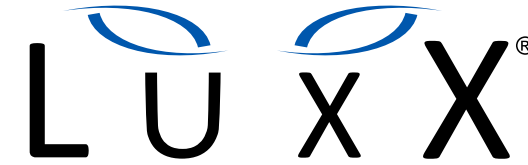
Germany, Austria, Switzerland, Scandinavia

### **Von Gegerfelt Photonics**

Nibelungenstrasse 22  
DE-64625 Bensheim, Germany  
info@vgphotonics.eu  
www.vgphotonics.eu



Omicron-Laserage Laserprodukte GmbH  
Raiffeisenstrasse 5e  
63110 Rodgau, Germany  
Tel: +49-61 06-82 24-0  
Fax: +49-61 06-82 24-10  
www.omicron-laser.de  
mail@omicron-laser.de



## Compact CW diode lasers

**Small and compact design**

**14 different wavelengths  
between 375nm and 830nm**

**Single-Mode optical  
output power up to 140mW**

**TEC temperature-stabilized  
and conductively cooled  
through baseplate**

**High-Stability CW operation**

**Fast electronic shutter**



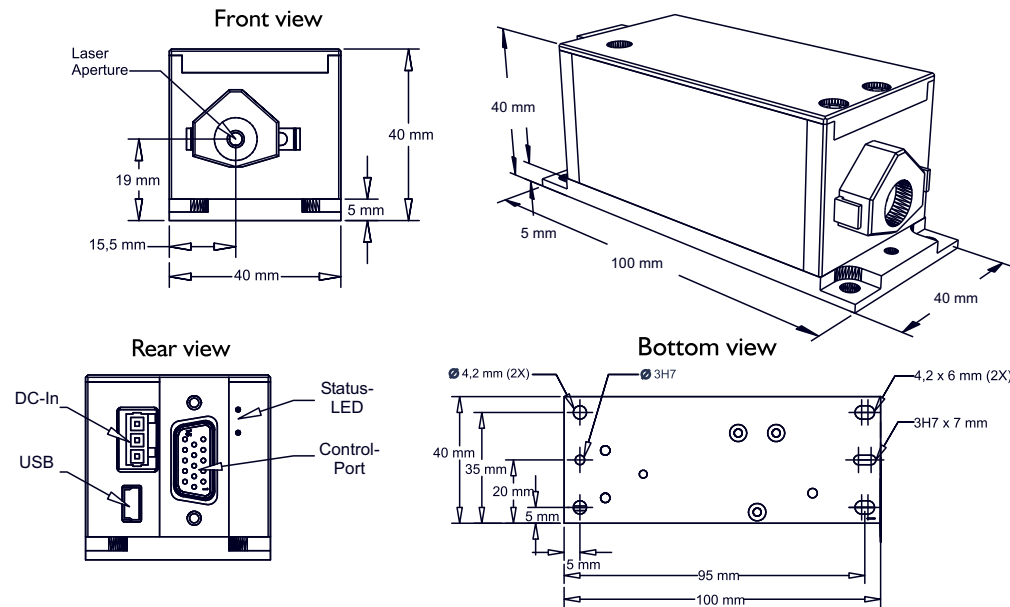
The Omicron **LUXX** Laser Series offers high-performance at a compact design. A broad variety of wavelengths and single-mode emission up to 140mW cover a wide range of applications. Easy integration into existing or future designs is assured by versatile input signal types. The USB2.0 and the RS-232 interface allow deep integration of the lasers into the applications process.

Applications:

- Flow Cytometry
- Confocal Microscopy
- Test and Measurement
- Machine Vision

....

**LUXX** dimensions



Model	LuXX® 375	LuXX® 405-60	LuXX® 405-120	LuXX® 445	LuXX® 473	LuXX® 488-20	LuXX® 488-60	LuXX® 638-40	LuXX® 638-100	LuXX® 642	LuXX® 660	LuXX® 685	LuXX® 705	LuXX® 730	LuXX® 785	LuXX® 808	LuXX® 830
Wavelength (+/- 5nm)	375nm	405nm	405nm	445nm	473nm	488nm	488nm	638nm	638nm	642nm	660nm	685nm	705nm	730nm	785nm	808nm	830nm
Optical output power	20mW	60mW	120mW	50mW	20mW	20mW	60mW	40mW	100mW	140mW	130mW	50mW	40mW	40mW	120mW	140mW	140mW
Typical beam diameter (1/e <sup>2</sup> )	1.0 ... 1.5mm (depends on wavelength) - 0.7mm with LuXX.DSO option																
Beam quality M <sup>2</sup>	<1.2																
Beam ellipticity	<1.2:1																
Beam pointing stability (µrad/°C)	<5																
Polarisation ratio	>100:1 vertical																
Warm up time	<3 minutes																
Operation modes																	
Mode 1	CW Operation - constant current (ACC)																
Mode 2	CW Operation - constant power (APC)																
Mode 3	Analogue Modulation																
Analogue modulation																	
Modulation bandwidth	>1,5MHz																
Signal type	0...5V (1.2kOhm)																
Laser enable input																	
Modulation bandwidth	>150kHz (complete ON/OFF)																
Signal type	TTL (2 kOhm)																
RMS noise characteristics																	
20Hz ... 10MHz	< 0,2%																
10MHz ... 500MHz	< 0,2%																
Long-term power stability	< 0,5%																
Electrical properties																	
Laser operating voltage	5.00 VDC +/- 0.50V																
Computer interface																	
Type	RS-232 and USB2.0																
Mechanical properties																	
Dimensions laser head	100 x 40 x 40mm (l x w x h)																