

- Steel Extended Contact Bearing Stages
- Stainless Steel Extended Contact Bearing Stages
- Aluminum Stages
- Rotation Stages
- Goniometers
- Rack & Pinion Dovetail Stages
- Preset Dovetail Stages
- Leadscrew Slides

Tilt Platforms

- OEM Slides
- Accessories

## Tilt Platforms

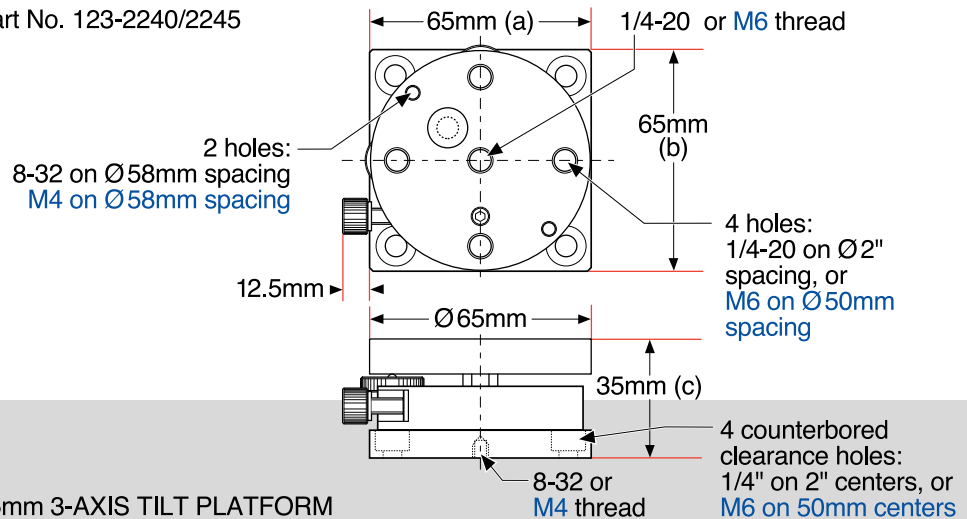
- Two or three axes of tilt
- For alignment of prisms or mirrors
- Compatible with 65, 40 and 25mm stages
- Thumb-screw adjusters
- Inch and metric mounting holes



Tilt platforms may be used as mirror mounts or prism tables. They can be mounted vertically or horizontally as required.

Tilt platforms with 2 or 3 degrees of freedom are useful for the alignment of all kinds of optical components. These tilt platforms may be combined with stages either horizontally or vertically to provide an easy method of angular control. Three sizes are offered: 65mm, 40mm and 25mm. The base is bolted onto the stage or bracket and the top plate is adjusted by means of the thumb-screws protruding from the edge of the platform. The third axis, when present, is adjusted by means of a knob. A useful clamp for holding prisms is offered as an option for use with the 65 and 40mm platforms.

Part No. 123-2240/2245



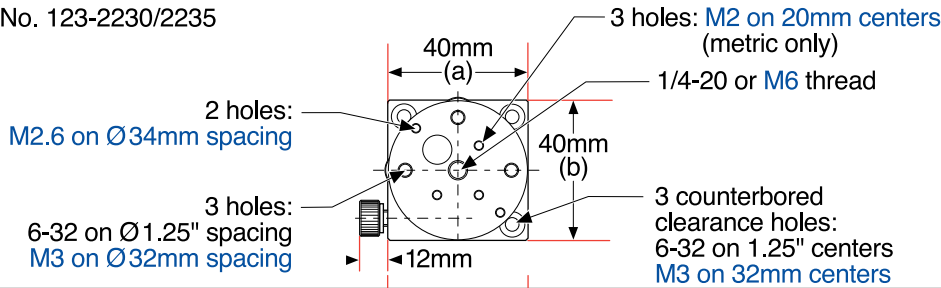
65mm 3-AXIS TILT PLATFORM

ORDERING  
&  
TECHNICAL SUPPORT  
(949) 851-5881  
FAX (949) 851-5058  
E-MAIL  
sales@optosigma.com  
WEB  
www.optosigma.com



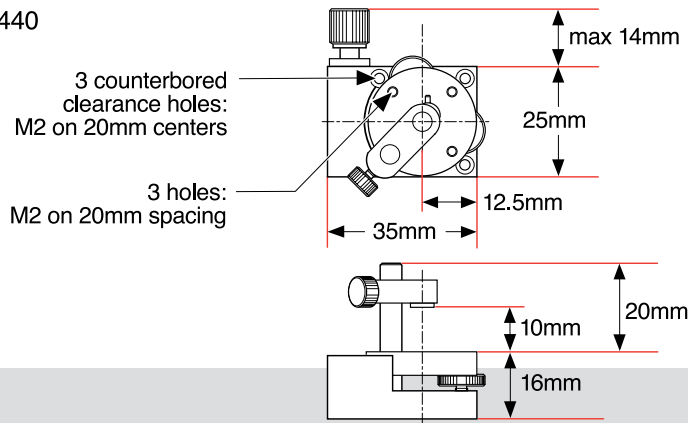
- Steel Extended Contact Bearing Stages
- Steel Extended Contact Bearing Stages
- Aluminum Stages
- Rotation Stages
- Goniometers
- Rack & Pinion Dovetail Stages
- Preset Dovetail Stages
- Leadscrew Slides
- Tilt Platforms**
- OEM Slides
- Accessories

Part No. 123-2230/2235



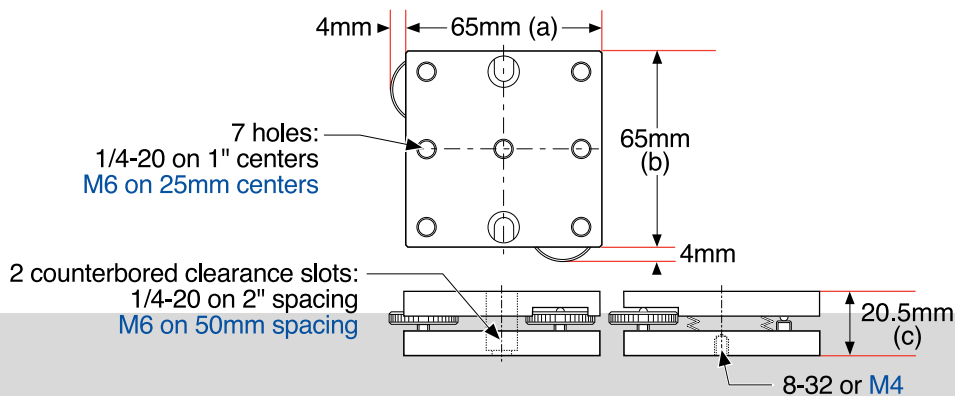
40mm 3-AXIS TILT PLATFORM

Part No. 155-1440



25mm 3-AXIS TILT PLATFORM

Part No. 123-2200/2205



65mm 2-AXIS TILT PLATFORM

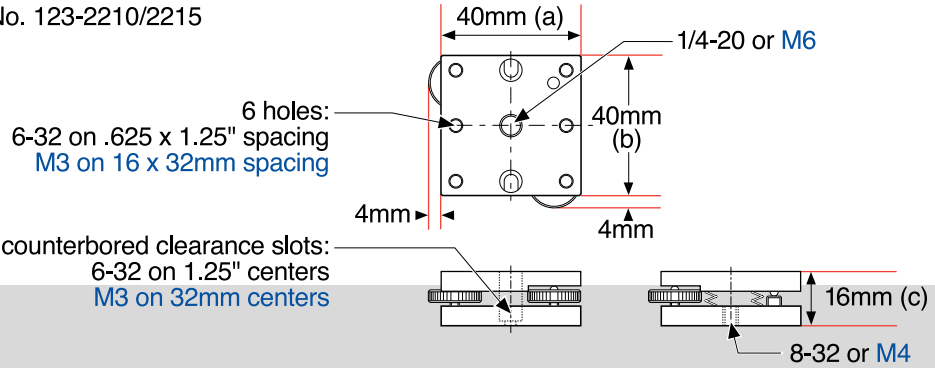
ORDERING  
&  
TECHNICAL SUPPORT  
(949) 851-5881  
FAX (949) 851-5058  
E-MAIL  
sales@optosigma.com  
WEB  
www.optosigma.com



**MANUAL POSITIONERS**

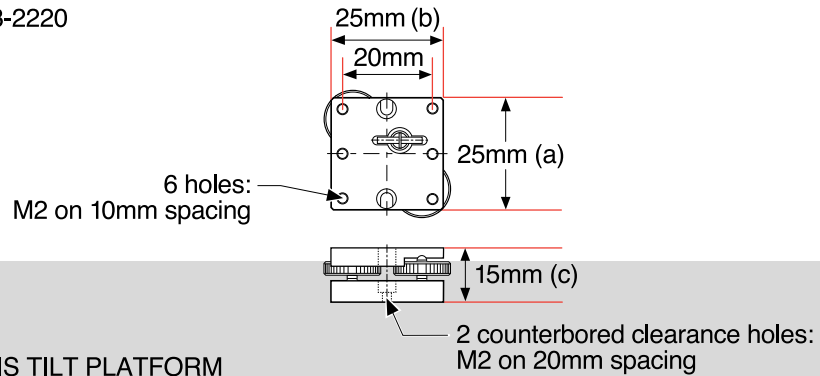
- Steel Extended Contact Bearing Stages
- Stainless Steel Extended Contact Bearing Stages
- Aluminum Stages
- Rotation Stages
- Goniometers
- Rack & Pinion Dovetail Stages
- Preset Dovetail Stages
- Leadscrew Slides
- Tilt Platforms**
- OEM Slides
- Accessories

Part No. 123-2210/2215



40mm 2-AXIS TILT PLATFORM

Part No. 123-2220



25mm 2-AXIS TILT PLATFORM

**Specifications & Tolerances**

Dimensions:  $\pm 0.2\text{mm}$   
 Sensitivity: 10arcmin  
 Material: Aluminum  
 Finish: Black anodized

Adjustment:  
 2-axis:  $\pm 2^\circ$   
 3-axis:  $\pm 3^\circ$

**Tilt Platforms**

Dimensions, a x b (mm)	Height, c (mm)	Axes	Load Capacity (kg)	Price	INCH	METRIC
					PART NUMBER	PART NUMBER
65 x 65	20.5	2	4.0	\$ 155.00	123-2200	123-2205
40 x 40	16.0	2	2.0	\$ 110.00	123-2210	123-2215
25 x 25	15.0	2	1.5	\$ 55.00	-	123-2220
65 x 65	35.0	3	0.3	\$ 230.00	123-2240	123-2245
40 x 40	25.0	3	0.2	\$ 195.00	123-2230	123-2235
25 x 25	15.0	3	0.1	\$ 140.00	-	155-1440

**Prism Holding Clamps**

For Use with 3-axis Tilt Platform Size: (mm)	To Hold Prisms of Max Side, S (mm)	Price	PART NUMBER
65	32	\$ 40.00	113-0157
40	26	\$ 30.00	113-0147
25	10	\$ 30.00	155-1441

ORDERING & TECHNICAL SUPPORT  
 (949) 851-5881  
 FAX (949) 851-5058  
 E-MAIL sales@optosigma.com  
 WEB www.optosigma.com

