

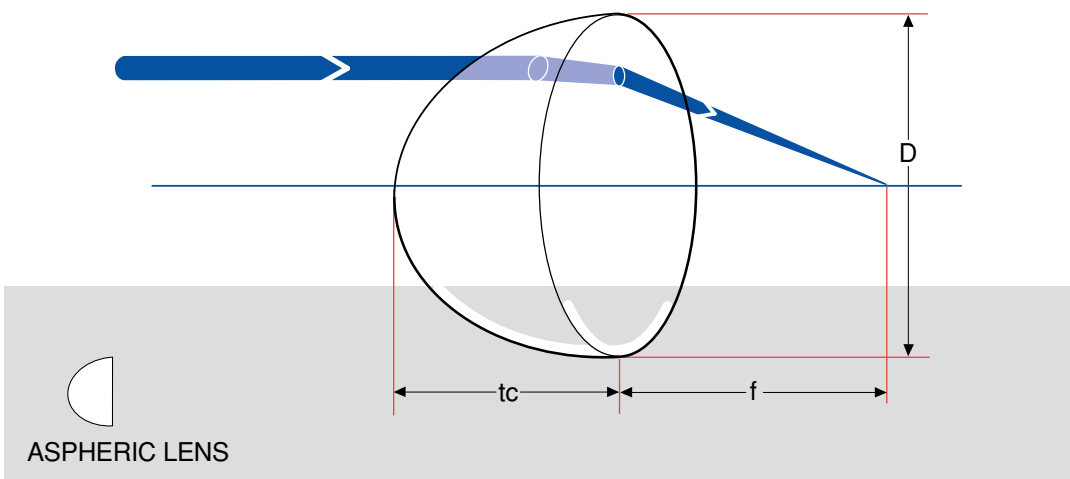
Aspheric Lenses

- Very high numerical apertures for effective energy collection and condensing
- Aspheric surfaces are molded, then polished
- Very attractive prices for demanding applications
- Made from high quality optical crown glass



These lenses are ideally suited to condensing and light collection applications. For these purposes it is necessary to locate the optic as close as possible to the source or detector in order to benefit from a large numerical aperture collection cone. These aspheric lenses are flat or convex spherical on one side and have a steep aspheric on the other side.

The lenses are molded and polished from high quality crown optical glass. Coating is not recommended since coatings work poorly on steep aspherics as the angle of incidence is widely variable across the diameter of the lens.



Specifications & Tolerances

Focal length: $\pm 7\%$
 Diameter: $\pm 0.5\text{mm}$
 Thickness: $\pm 0.5\text{mm}$
 Surface quality:
 60-40

Material: B270
 optical glass

Aspheric Lenses

Focal Length (mm)	Diameter		Rear Surface Shape	Numerical Aperture	Thickness, t		Price	PART NUMBER
	(inches)	(mm)			Center, tc (mm)	Edge, te (mm)		
8.5	0.47	12.0	convex	0.70	5.5	1.6	\$ 17.00	023-2220
10.5	0.47	12.0	plano	0.57	3.5	1.1	\$ 14.50	023-2230
12.0	0.71	18.0	convex	0.75	8.8	3.3	\$ 18.50	023-2250
15.5	0.71	18.0	plano	0.58	7.0	3.0	\$ 13.50	023-2260
17.0	0.75	19.0	plano	0.56	7.0	1.8	\$ 13.50	023-2270
18.0	0.94	24.0	plano	0.67	10.0	2.0	\$ 14.00	023-2290
20.0	0.98	25.0	plano	0.62	7.5	1.2	\$ 14.00	023-2340
23.5	1.18	30.0	plano	0.64	13.5	3.8	\$ 16.00	023-2380
26.5	1.18	30.0	plano	0.57	11.0	3.0	\$ 16.00	023-2390
23.5	1.28	32.5	convex	0.69	13.5	2.5	\$ 18.00	023-2392
34.5	1.50	38.0	plano	0.55	12.0	1.5	\$ 19.00	023-2440
39.0	1.97	50.0	plano	0.64	20.0	2.8	\$ 29.00	023-2550
50.0	1.97	50.0	convex	0.51	14.4	2.5	\$ 35.00	023-2570

ORDERING
&
TECHNICAL SUPPORT
(949) 851-5881
FAX (949) 851-5058
E-MAIL
sales@optosigma.com
WEB
www.optosigma.com

