

Mini-System Kits

- Pre-selected mini-system kits
- With and without rails
- Supplied in a convenient carrying case



This system facilitates close stacking of components and the building of small scale optical systems assemblies. Holders are offered for 10mm and 15mm optics since these sizes lend themselves most effectively to diode and fiber systems. A system of mounts and rails permits the movement of components relative to each other.

The standard system is based on a metric hole pattern of M2 threaded holes on 10mm centers. This system provides for closer spacing than is possible with inch based systems. Metric screws, tools and adapters are offered here for use with the system.

The baseplates have a pattern of M2 holes but they also contain large clearance holes for mounting onto conventional larger scale inch or metric opto-mechanical systems. These mounting holes are clearance counter-bored for a 1/4-20 or M6 cap screw.

The mini-system is usually assembled on a baseplate of appropriate size. We offer a standard range of mini-baseplates which are suitable for most applications. The mounts can be assembled directly onto the mini-baseplate or by means of an optical mini-rail system. The mini-rails permit variations in the spacing of components for coarse adjustment. Component holders are mounted either directly on the mini-rail carriers or on mini-posts. Mini-stages or mini-preset stages (described on pages 298 and 349) can be interspersed in order to provide precise mechanical positioning. The entire system is based on a 30mm center height which can be increased in 10mm increments. Spacers of 5, 10 or 15mm thickness can be supplied in order to maintain the correct center height. This compensation may be necessary, for example, when some components are missing.

You will find that this mini-system provides all the mechanical adjustment capabilities you require in a simple and compact system. The unique design permits easy access to the components without a complicated set of supports.

ORDERING
&
TECHNICAL SUPPORT
(949) 851-5881
FAX (949) 851-5058
E-MAIL
sales@optosigma.com
WEB
www.optosigma.com

Mini-System Kits

We offer these mini-system kits in order to simplify the selection of components. Each kit has a complete range of mini-system products ready for use. One kit has only base mounted components while the other has both bases and rails. Both are supplied in a convenient carrying case with cut-out foam to hold the items in place.



If you wish to specify your own components or add to the kit, you can select individual items from the pages referenced in the table below. The carrying case is also offered separately if you wish to make up your own kit.

Contents of Mini-system Kits

Product Number	Description	Described on page	Quantity Included in Mini-base Kit 155-2010	Quantity Included in Mini-rail Kit 155-2020
155-0050	Mini-baseplate (300mm x 200mm)	311	1	1
155-0110	Mini-rail (50mm)	322	-	2
155-0120	Mini-rail (120mm)	322	-	2
155-0130	Mini-rail (200mm)	322	-	1
155-0140	Mini-rail (300mm)	322	-	1
155-0220	Mini-carrier (12mm)	322	-	4
155-0230	Mini-carrier (25mm)	322	-	4
155-0340	Mini-post (15mm)	341	3	2
155-0440	Mini-post holder (15mm)	341	3	-
155-0450	Mini-post holder (20mm)	341	-	2
155-0460	Mini-post holder (25mm)	341	2	-
155-0470	Mini-post holder (30mm)	341	-	6
155-0490	Mini-post holder (40mm)	341	-	4
155-0660	Mini-post base (small)	341	2	2
155-0670	Mini-post base (adjustable)	341	1	1
155-0680	Mini-post base (large)	341	2	1
155-1890	Mini-cross clamp (rotary)	341	1	1
155-1122	Mini-mirror mount (1/2") with base	266	2	-
155-1124	Mini-mirror mount (1/2") with post	266	2	4
155-1220	Mini-beamsplitter holder (15mm) with base	254	1	-
155-1222	Mini-beamsplitter holder (15mm) with post	254	-	1
155-1370	Mini-lens holder (15mm) with base	282	2	-
155-1380	Mini-lens holder (15mm) with post	282	-	2
155-1390	Mini-lens holder (5-15mm) with post	282	2	2
155-1440	Mini-prism table (<10mm)	290	1	1
155-1570	Mini-polarizer holder (15mm) with base	294	1	-
155-1580	Mini-polarizer holder (15mm) with post	294	-	1
155-1660	Mini-iris diaphragm (1-12mm) with base	300	1	-
155-1670	Mini-iris diaphragm (1-12mm) with post	300	-	1
155-1770	Mini-filter holder (10-20mm) with post	298	1	1
123-0042	Mini-stage (XYZ-6 - side micrometers)	389	2	2
124-0010	Mini-rotation stage	394	1	1
123-2220	Mini-tilt stage	420	1	1
123-2440	Mini-goniometer (40°@30mm)	398	1	1
199-0220	Mini-spacer (5mm)	308	4	2
199-0222	Mini-spacer (10mm)	308	2	2
199-0224	Mini-spacer (15mm)	308	2	-
199-0130	Mini-toolkit	308	1	1
199-0990	Carrying case	307	1	1

Mini-System Kits

Kit	Price	PART NUMBER
Mini-base kit	\$ 3,725.00	155-2010
Mini-rail kit	\$ 4,150.00	155-2020
Carrying case only	\$ 240.00	199-0990

Mirror Mounts

Optic Holders

Optical Baseplates

Optical Rails and Carriers

Bases

Rod Mounting Systems

Post, Post Holders, Clamps

ORDERING
&
TECHNICAL SUPPORT
(949) 851-5881
FAX (949) 851-5058
E-MAIL
sales@optosigma.com
WEB
www.optosigma.com

 OptoSigma®

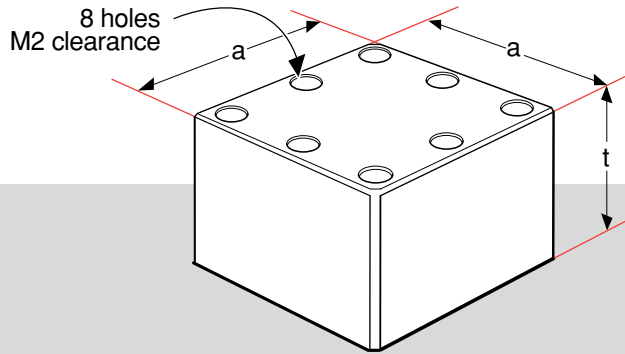
Mini-Spacers



Spacers to take up height differences. 25mm square with M2 clearance holes on 20mm square pattern. 5, 10 and 15mm thick. Black anodized aluminum.

Mini-Spacers

Thickness, t (mm)	Side, a (mm)	Price	PART NUMBER
5	25	\$ 12.00	199-0220
10	25	\$ 14.00	199-0222
15	25	\$ 16.00	199-0224



MINI-SPACER

Extra screws and washers will be found to be useful for replacing those small items which seem to be inexplicably lost.

Mini-System Screw and Tool Kit

Our Mini-System Screw and Tool Kit includes M2 screws 20 each of 4, 6, 8, 10, 12, 16 and 18mm length, mini-washers (10), wrenches for M1, M2, M3, M4 screws (1 each), small screwdrivers, flat blade (1) and philips (1) in a convenient storage box.

Mini-System Screw and Tool Kit



Thickness, t (mm)	Price	PART NUMBER
Mini-System Screw & Tool Kit	\$ 85.00	199-0130
M2 Screw Set	\$ 60.00	199-0135

Mini-Washers



Item	Price	PART NUMBER
Mini-washers (pack of 10)	\$ 25.00	199-0110

Preset-Wrench Set

Item	Price	PART NUMBER
Preset-Wrench Set	\$ 10.00	199-0125